



MicroAmp SV-S, CV-S, 4-CV & 4-MA

VIDEO & AUDIO DISTRIBUTION

OPERATING AND MAINTENANCE MANUAL



© Copyright 2011, ATI Audio Inc.

DESCRIPTION

The MicroAmp AV Series allows up to four composite video signals, one S-Video, and a maximum of four unbalanced audio signals to be transmitted via unshielded twisted pair (UTP) cable in a point-to-point connection. The **SV-S** Model has one S-Video channel and two audio channels. The **CV-S** Model has one composite video channel and two channels of audio. The **4-CV** Model has four composite video channels. The **4-MA** Model has four audio channels, all of which can be paired for stereo applications.

Sold and used in pairs, ATI MicroAmps eliminate up to three coaxial cables, allowing audio-video equipment to be connected via space efficient and cost effective Category 5 twisted pair cable.

The MicroAmp AV Series is ideal for on-location sound, classroom video distribution, hospital video training, commercial and home audio or video systems, video kiosks and video conferencing. Applications include DVD players, Video cams, long audio cable runs and satellite receivers.

NOTE THAT CAT5 CABLES MUST BE WIRED AS CROSSOVER FOR MICROAMP UNITS TO OPERATE PROPERLY.

FEATURES INCLUDE

- Composite audio and unbalanced audio
- Cable runs up to 3200 feet (975 m)
- Run multiple channels over CAT5 UTP
- Greater stability with wider bandwidth
- Eliminates ground loops
- Cost efficient cabling
- Bi-Directional operation

MODELS

MicroAmp SV-S	1 S-Video Channel and 2 Channels of Audio
MicroAmp CV-S	1 Composite Video Channel and 2 Channels of Audio
MicroAmp 4-CV	4 Composite Video Channels
MicroAmp 4-MA	4 Audio Channels

TECHNICAL SPECIFICATIONS

VIDEO

GAIN	Unity
PHASE ERROR	±2%
GAIN ERROR	±2%
RETURN LOSS	> 15dB over frequency range from DC to 8 MHz

VIDEO INPUT

MAXIMUM LEVEL	1.0V RMS
IMPEDANCE	75 ohms

VIDEO OUTPUT

MAXIMUM LEVEL	1.0V RMS
IMPEDANCE	75 ohms

AUDIO

BANDWIDTH	10 Hz to 30 kHz
CMR	> 40 dB, 20 MHz to 20 kHz

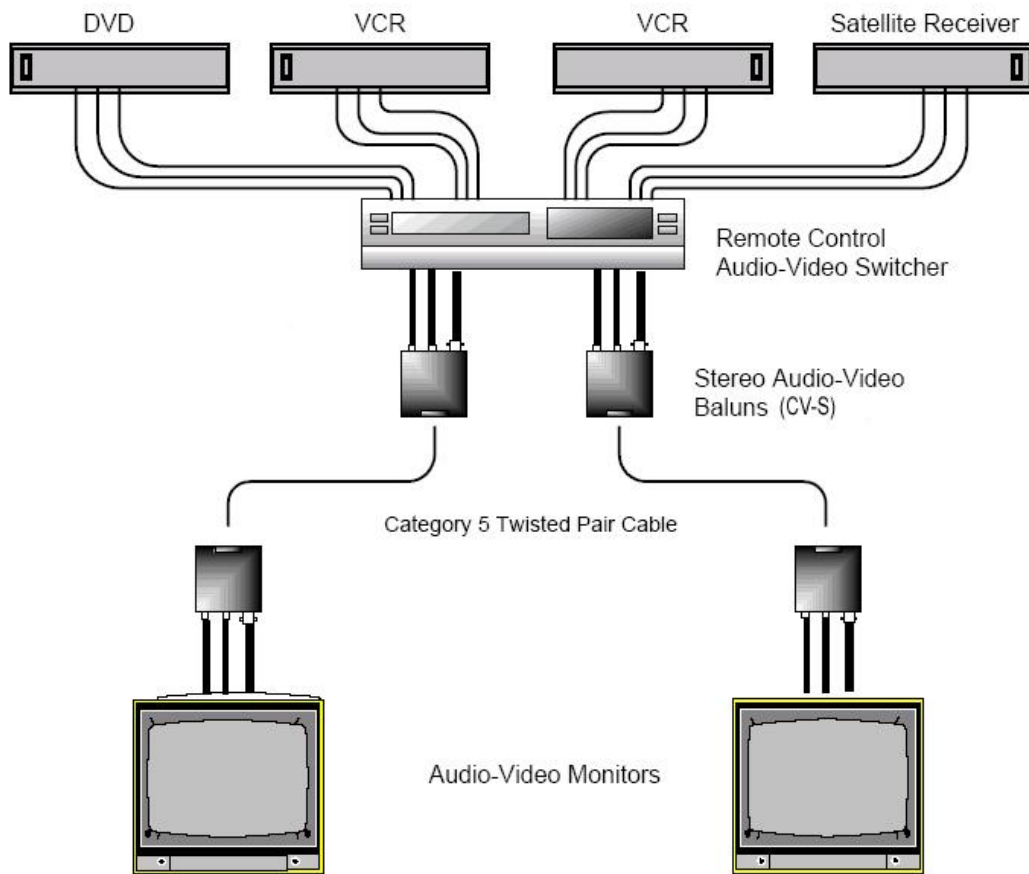
ANALOG AUDIO OUTPUT

IMPEDANCE	600 ohms
------------------	----------

GENERAL

INTERCONNECT WIRING	Crossover
TRANSMISSION	Transparent to the user
TEMPERATURE	Operating: 32 to 131 F (0 to 55 C) Storage: -4 to +185 F (-20 to +85 C) Humidity: up to 95%
CONNECTORS	2 RCA Female for stereo audio, S-Video connector, BNC connector, and 1 RJ45 jack for CAT5
ENCLOSURE TYPE	Fire Retardant Black Plastic
ISOLATION	500 V (audio) per channel
DEVICES SUPPORTED	DVD, VCR, camcorders, audio receivers and amplifiers, AV switches, splitters, AV mixers and other analog audio-video equipment featuring coaxial input or output w/ BNC or RCA connectors
ENCLOSURE DIMENSIONS	2.4" (6.1cm) x 2.25" (cm) x 1" (2.5cm)
PRODUCT WEIGHT	3 oz (85 grams); used in pairs, 1 lb (.6kg) Shipping Weight

Typical Application



One Year Limited Warranty

ATI warrants this product to be free from defects in materials and workmanship to its original owner for a period of one year from date of purchase. ATI will repair or replace such product or part thereof, which upon inspection by ATI, is found to be defective in materials or workmanship.

The Proper Return Authorization Number must be obtained from ATI in advance of return. Contact ATI at 856-626-3480 or email sales@atiaudio.com to receive the number and instructions for return of your unit.

A written statement providing the name, address, daytime telephone number and email address of the original owner, together with receipt from the original purchase, and a brief description of any claimed defects, must accompany all returns. Parts or product for which replacement is made shall become the property of ATI.

The customer shall be responsible for costs of transportation and insurance to the factory of ATI, and shall be required to prepay such costs.

ATI shall use reasonable efforts to repair or replace any product covered by this limited warranty within thirty days of receipt. In the event repair or replacement shall require more than thirty days, ATI shall notify the customer accordingly. ATI reserves the right to replace any product that has been discontinued from its product line with a new product of comparable value and function.

This warranty shall be void in the event a covered product has been damaged, or failure is caused by or attributable to acts of God, abuse, accident, misuse, improper or abnormal usage, failure to follow instructions, improper installation or maintenance, alteration, or lightning, power fluctuations and other incidental or environmental conditions. Further, product malfunction or deterioration due to normal wear is not covered by this warranty.

ATI DISCLAIMS ANY WARRANTIES, EXPRESS OR IMPLIED, WHETHER OF MERCHANTABILITY OF FITNESS FOR A PARTICULAR USE, EXCEPT AS EXPRESSLY SET FORTH HEREIN. THE SOLE OBLIGATION OF ATI UNDER THIS LIMITED WARRANTY SHALL BE TO REPAIR OR REPLACE THE COVERED PRODUCT, IN ACCORDANCE WITH THE TERMS SET FORTH HEREIN. ATI EXPRESSLY DISCLAIMS ANY LOST PROFITS, GENERAL, SPECIAL, INDIRECT OR CONSEQUENTIAL DAMAGES WHICH MAY RESULT FROM BREACH OF ANY WARRANTY, OR ARISING OUT OF THE USE OR INABILITY TO USE ANY ATI PRODUCT.

Some states do not allow the exclusion or limitation of incidental or consequential damages or limitation on how long an implied warranty lasts, so the above limitations and exclusions may not apply to you.

This warranty gives you specific legal rights, and you may also have other rights that vary from state to state.

ATI reserves the right to modify or discontinue, without prior notice to you, any model or style product.

If warranty problems arise, or if you need assistance in using your product contact us,